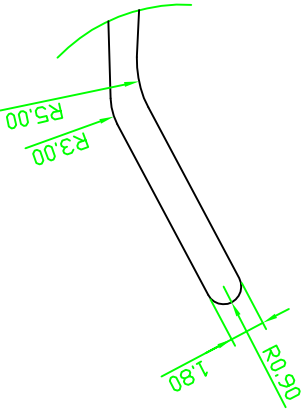
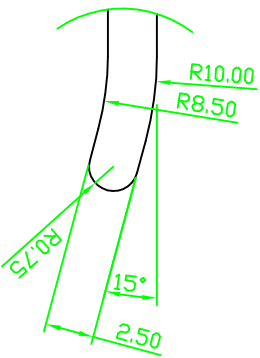


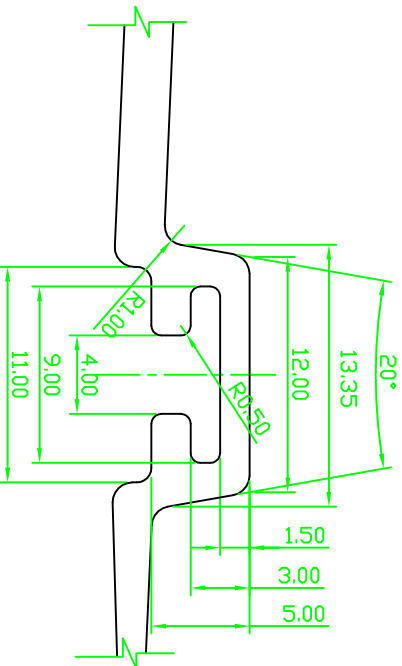
DETAIL A  
SCALE 5:1



DETAIL B  
SCALE 3:1



DETAIL C  
SCALE 5:1



DETAIL D  
SCALE 3:1

DEMEX CO.  
PARTS NAME : H TRACK STD  
MATERIAL : ALUMINIUM  
SURFACE : WHITE POWDER COATING  
UNIT : mm  
TOLERANCE : +0.10  
SCALE : NTS  
DATE : JULY 5, 2006